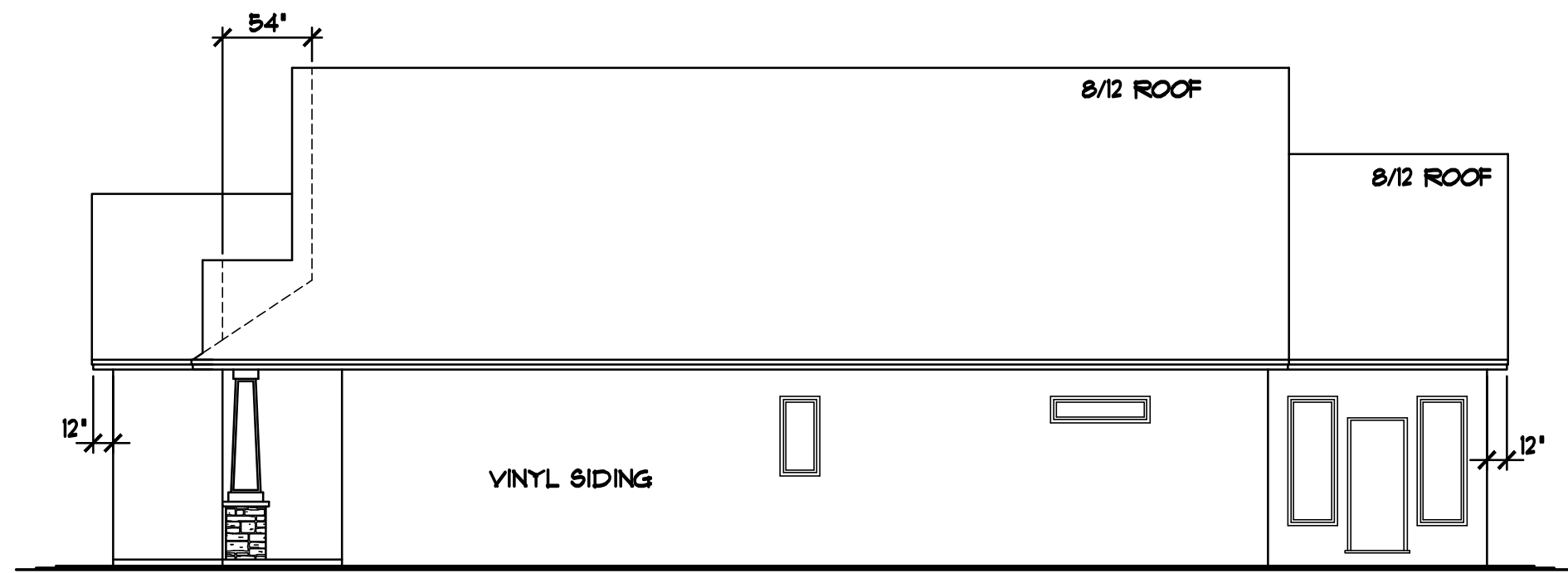
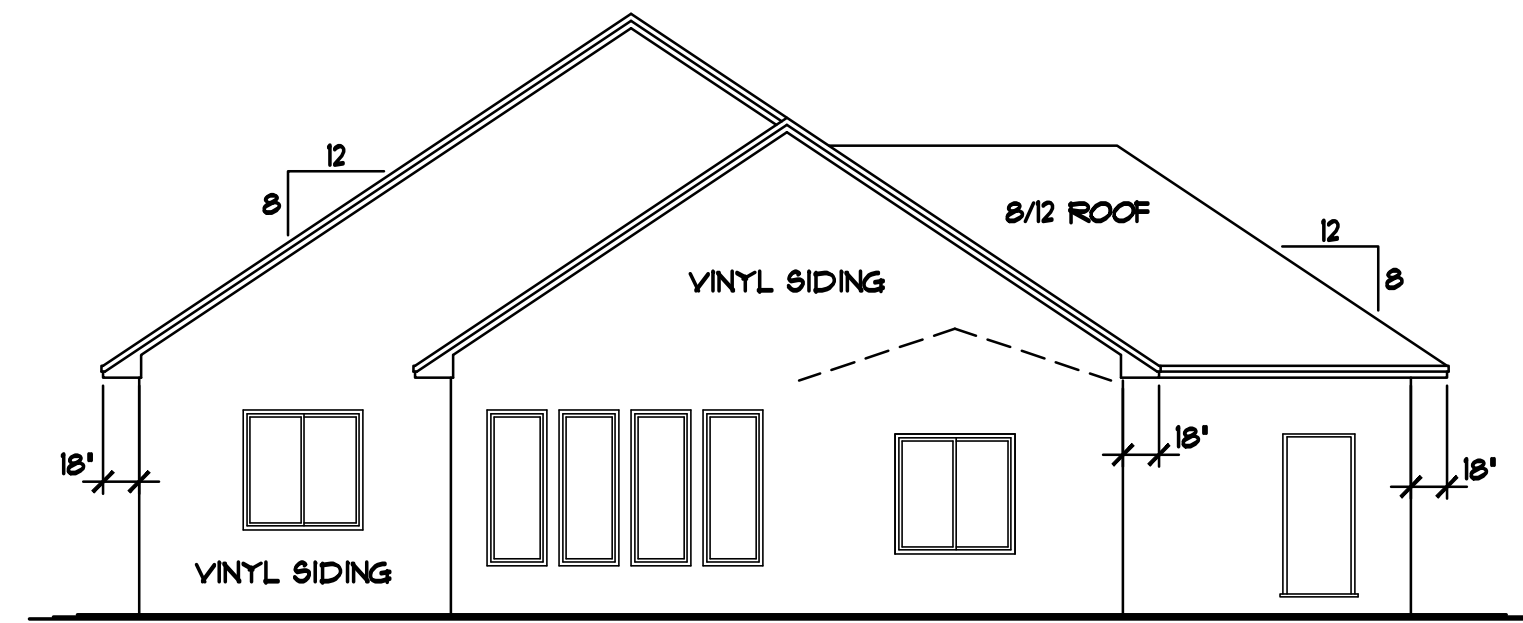


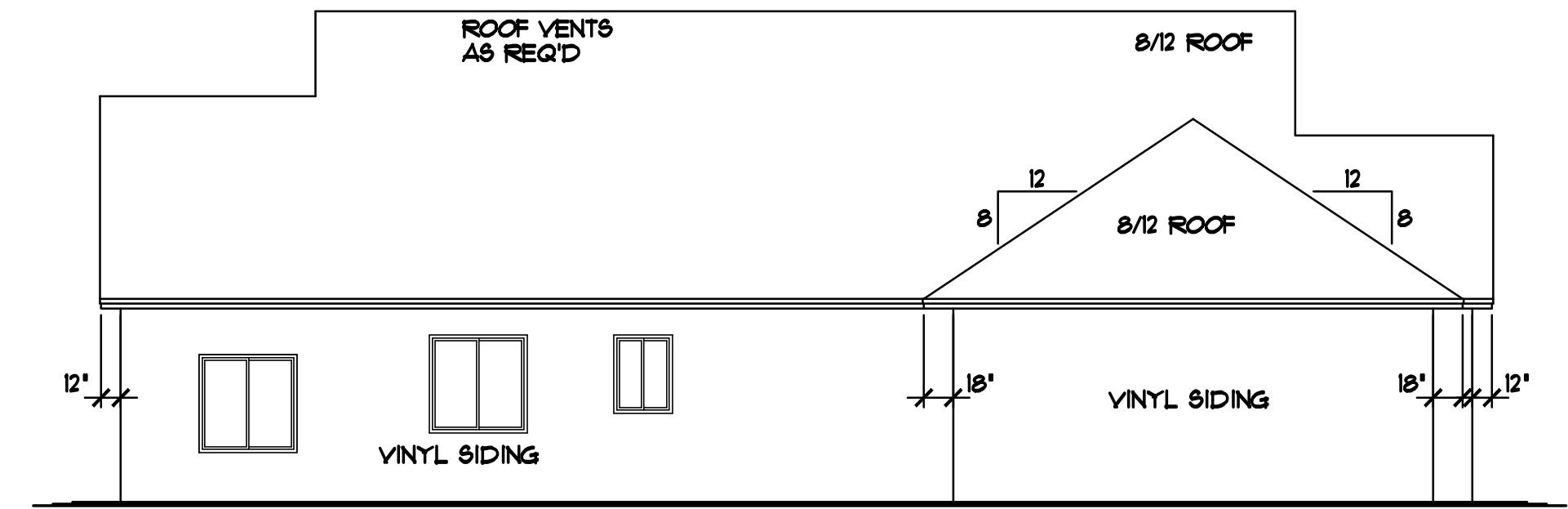
REVISIONS	BY
1514	S.E.
16059	S.E.
16168	WLC
18181	L.V.



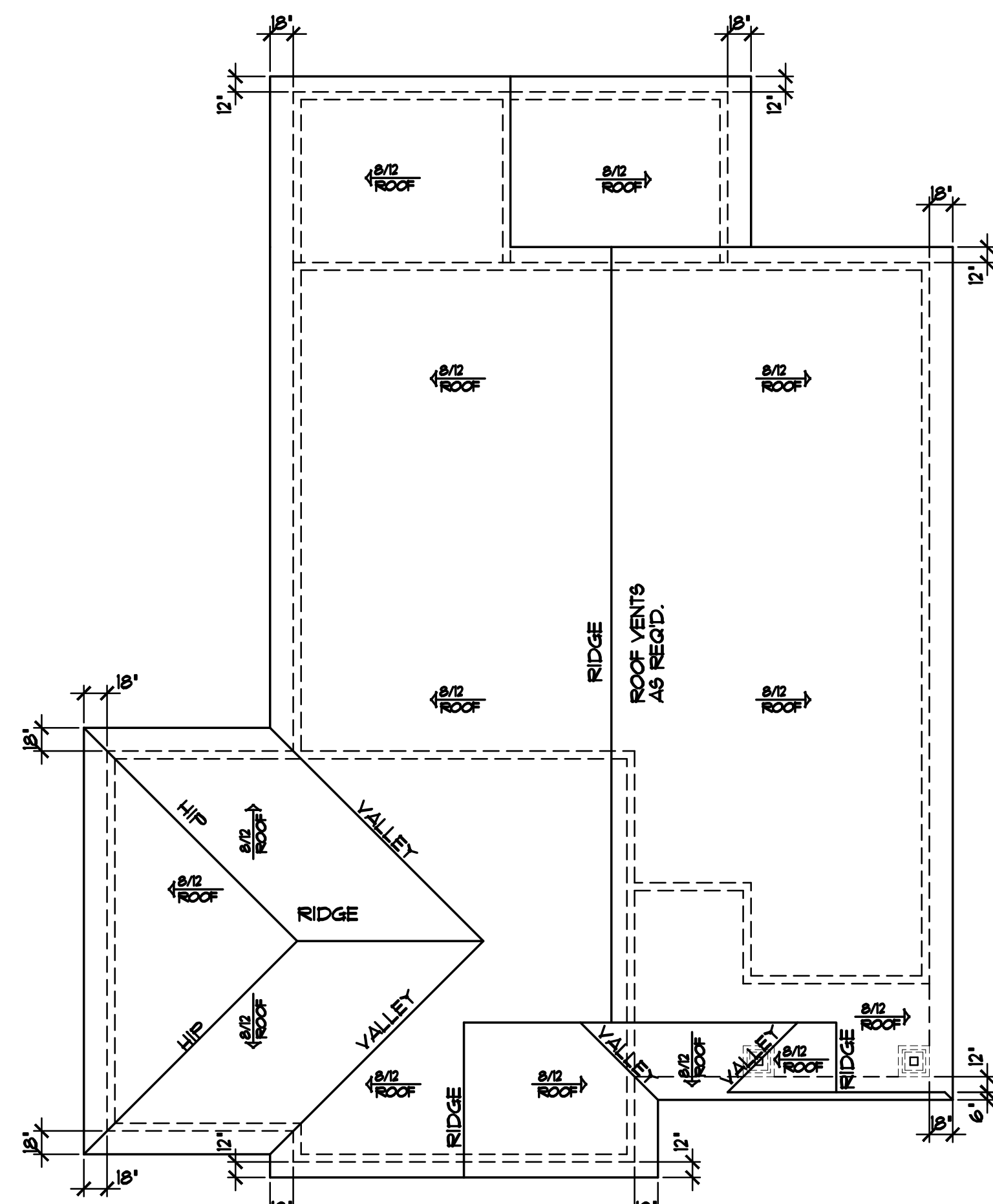
RIGHT ELEVATION 1/8"=1'-0"



REAR ELEVATION 1/8"=1'-0"



LEFT ELEVATION 1/8"=1'-0"



BIRDS EYE ROOF PLAN 1/8"=1'-0"

HOUSE INTERIOR VOLUME CALCULATION
15600 CUBIC FEET (MAIN LEVEL VOLUME)

NOTE III
10'-1 1/8" PLATE HEIGHT
• GREAT ROOM, DINING,
KITCHEN and ENTRY AREAS

LEVEL HEIGHT INFORMATION TABLE		
LEVEL	R.C.H.	TOP OF RO.
MAIN LEVEL	9'-1 1/8"	7'-10 1/2"

- SILVERLINE WINDOWS SPECIFIED
- WINDOWS w/GRIDS WHERE SHOWN
- VINYL SIDING/CORNER TRIM
- ALUMINUM SOFFITS & FASCIA
- STONE VENEER WHERE SHOWN

NOTE III
PROVIDE STANDARD
ENERGY HEEL • ALL
ROOF TRUSSES (TYP.)



FRONT ELEVATION 1/4"=1'-0"

1104 SQFT. TOTAL LIVING AREA
154 SQFT. 3 SEASON PORCH

THE:
OLSON PLAN
WYOMING, MN

SPECIAL NOTICE: CROIX DESIGN AND DRAFTING, INC. ACCEPTS NO RESPONSIBILITY FOR CONSTRUCTION OF THIS PLAN. THE USER OF THIS PLAN SHALL BE RESPONSIBLE FOR OBTAINING ALL NECESSARY PERMITS AND CHECKING ALL LOCAL, STATE, AND FEDERAL REGULATIONS AND CODES. THE USER SHALL BE RESPONSIBLE FOR OBTAINING ALL NECESSARY PERMITS AND CHECKING ALL LOCAL, STATE, AND FEDERAL REGULATIONS AND CODES. THE USER SHALL BE RESPONSIBLE FOR OBTAINING ALL NECESSARY PERMITS AND CHECKING ALL LOCAL, STATE, AND FEDERAL REGULATIONS AND CODES. THE USER SHALL BE RESPONSIBLE FOR OBTAINING ALL NECESSARY PERMITS AND CHECKING ALL LOCAL, STATE, AND FEDERAL REGULATIONS AND CODES.

© COPYRIGHT NOTICE: ALL RIGHTS RESERVED. CROIX DESIGN AND DRAFTING, INC. IS THE SOLE PROPRIETOR OF THIS DESIGN. THIS DESIGN IS THE PROPERTY OF CROIX DESIGN AND DRAFTING, INC. AND IS NOT TO BE REPRODUCED, COPIED, OR TRANSMITTED IN ANY FORM OR BY ANY MEANS, ELECTRONIC OR MECHANICAL, WITHOUT THE WRITTEN PERMISSION OF CROIX DESIGN AND DRAFTING, INC.

DESIGN AND DRAFTING BY:
CROIX DESIGN & DRAFTING, INC.
• ARCHITECTURAL DESIGN and DRAFTING SERVICE •
• HOME PLAN SERVICE • CUSTOM HOMES • REMODELING •
• PHONE: 763.757.5997 • ANDOVER, MINNESOTA •
• WWW.CROIXDESIGN.COM

BUILT BY:
ELEVATE BUILDERS, LLC
P.O. BOX 114
FOREST LAKE, MN 55025

DRAWN	R.B.
CHECKED	XX
DATE:	04/16/2019
SCALE:	AS NOTED
CADD FILE #	19086

© COPYRIGHT 2015-2019 NOTICE, ALL RIGHTS RESERVED CROIX DESIGN AND DRAFTING, INC.

REVISIONS
XX/XX/XX 0000 BY:XX
XX/XX/XX 0000 BY:XX

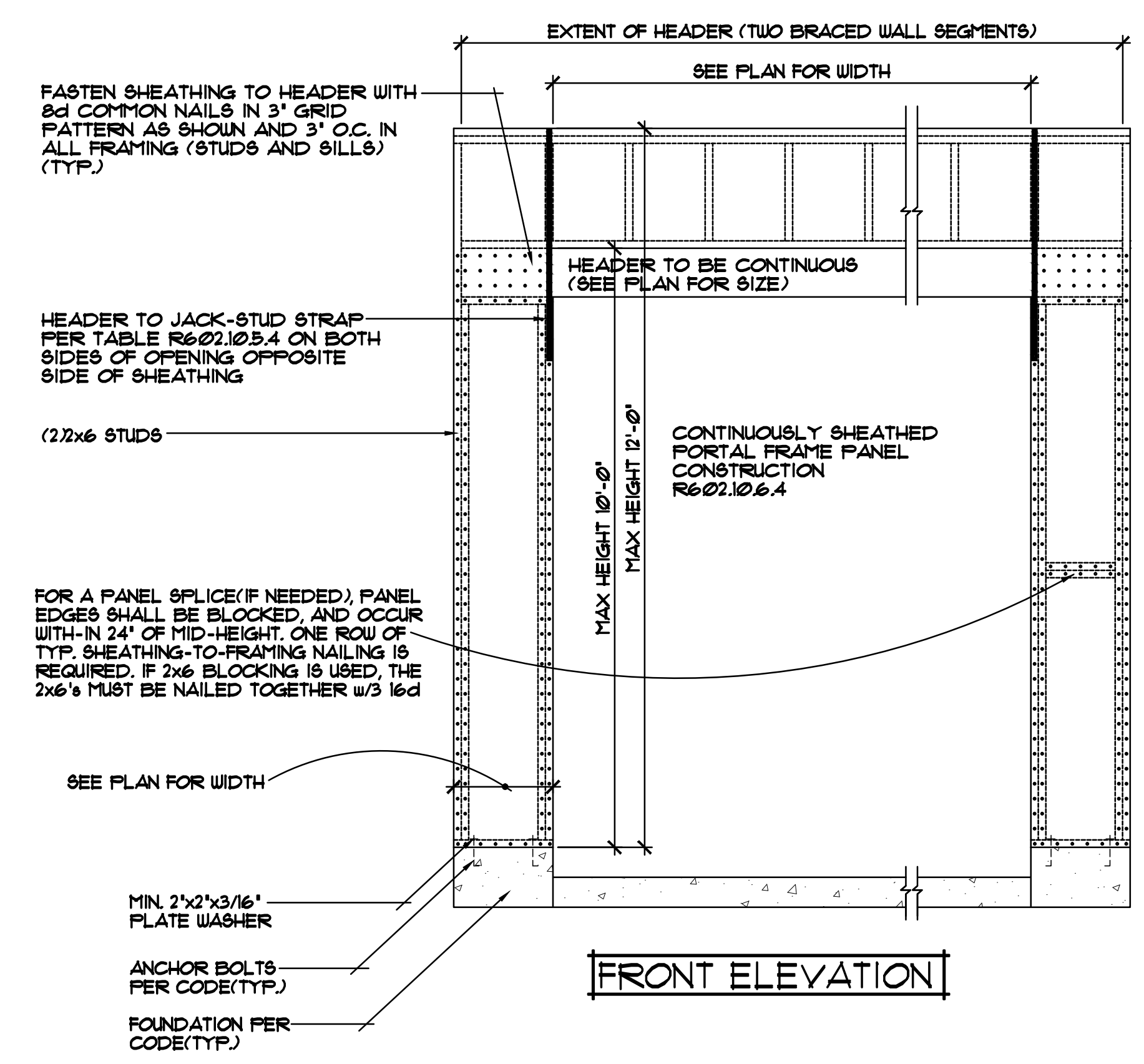
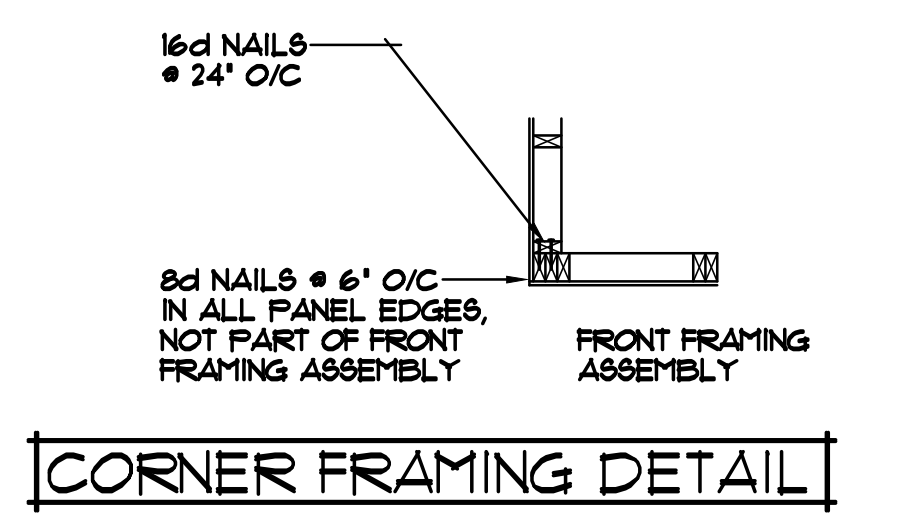
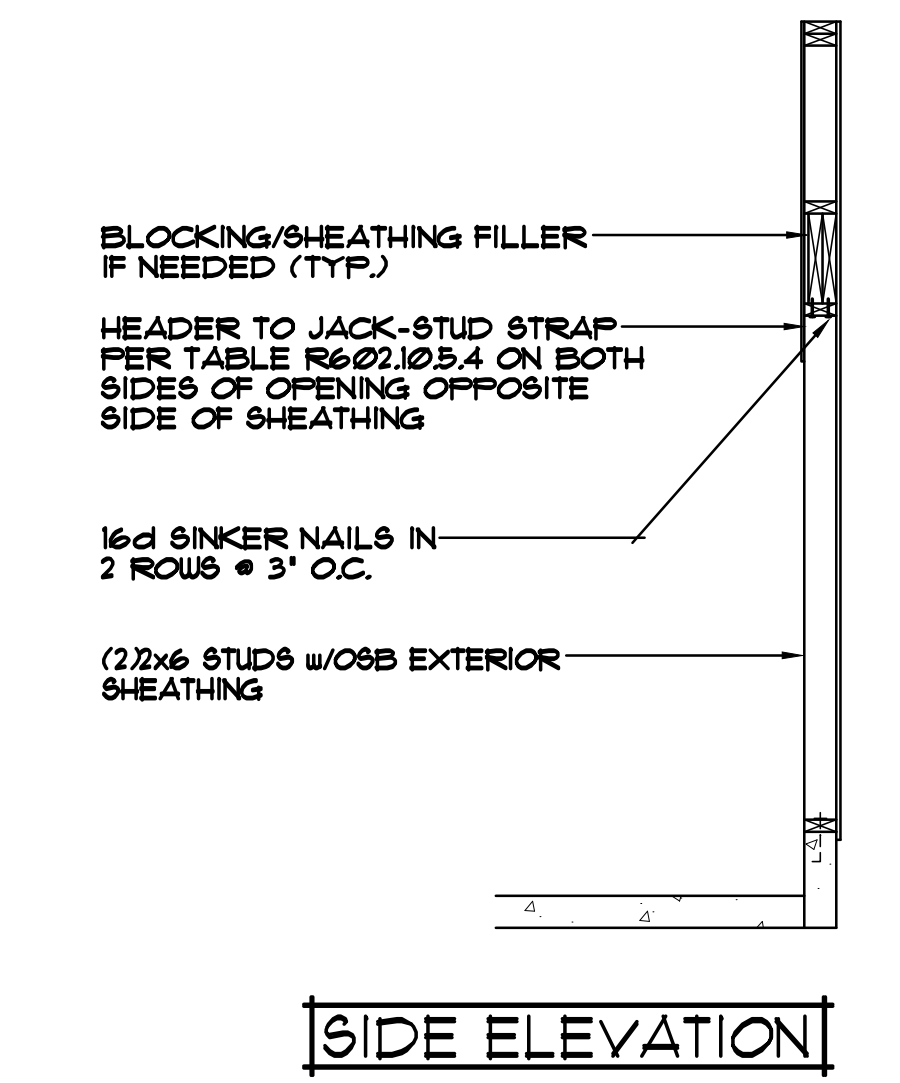
SPECIAL NOTE:
DRAWINGS ARE THE PROPERTY OF CROIX DESIGN & DRAFTING, LLC. NO PART OF THESE DRAWINGS SHALL BE REPRODUCED, COPIED, OR TRANSMITTED IN ANY FORM OR BY ANY MEANS, ELECTRONIC OR MECHANICAL, WITHOUT THE WRITTEN PERMISSION OF CROIX DESIGN & DRAFTING, LLC. THE USER OF THESE DRAWINGS SHALL BE RESPONSIBLE FOR OBTAINING ALL NECESSARY PERMITS AND APPROVALS FROM THE APPROPRIATE AGENCIES. THE USER SHALL BE RESPONSIBLE FOR VERIFYING THE ACCURACY OF ALL DIMENSIONS AND MATERIALS SHOWN ON THESE DRAWINGS. THE USER SHALL BE RESPONSIBLE FOR OBTAINING ALL NECESSARY PERMITS AND APPROVALS FROM THE APPROPRIATE AGENCIES. THE USER SHALL BE RESPONSIBLE FOR VERIFYING THE ACCURACY OF ALL DIMENSIONS AND MATERIALS SHOWN ON THESE DRAWINGS.

OFFICE: 763.757.9997
 10000 PARKWAY
 ANDOVER, MINNESOTA
 WWW.CROIXDESIGN.COM

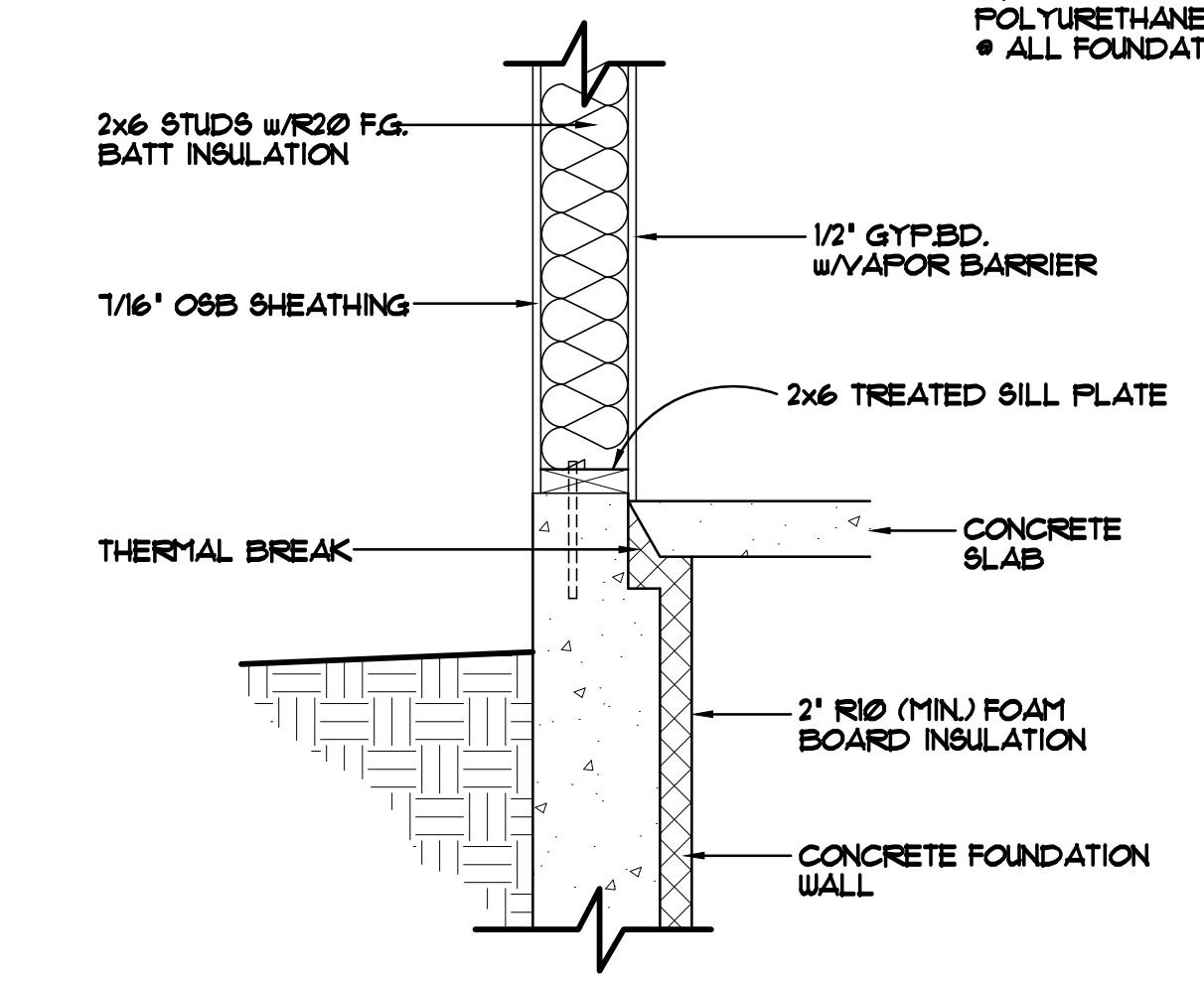
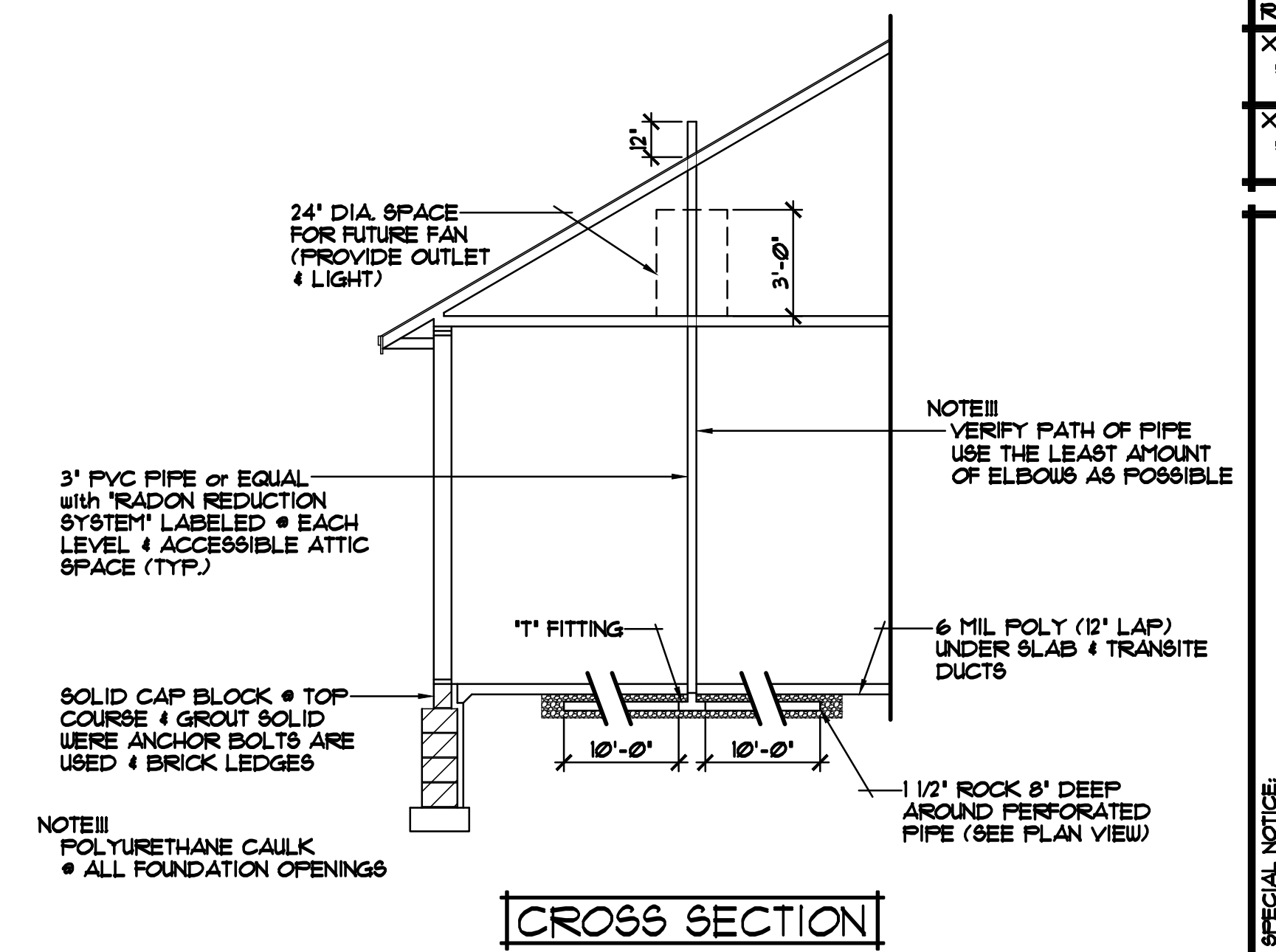
CROIX
 DESIGN & DRAFTING, LLC

ELEVATE BUILDERS, LLC

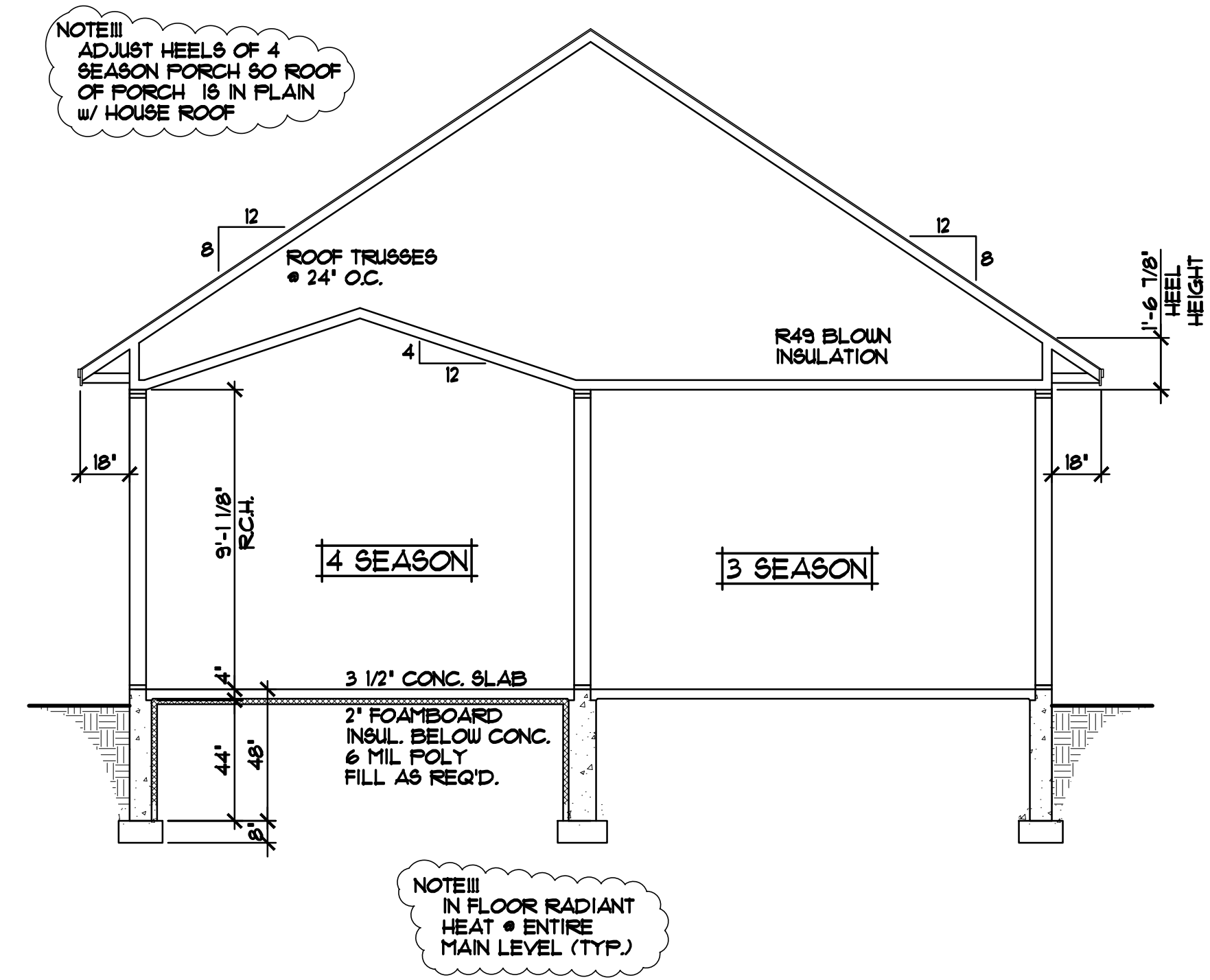
SHEET
 4
 OF 4
 CADD FILE #
 12026



CONTINUOUSLY SHEATHED PORTAL FRAME PANEL CONSTRUCTION 1/2"=1'-0"

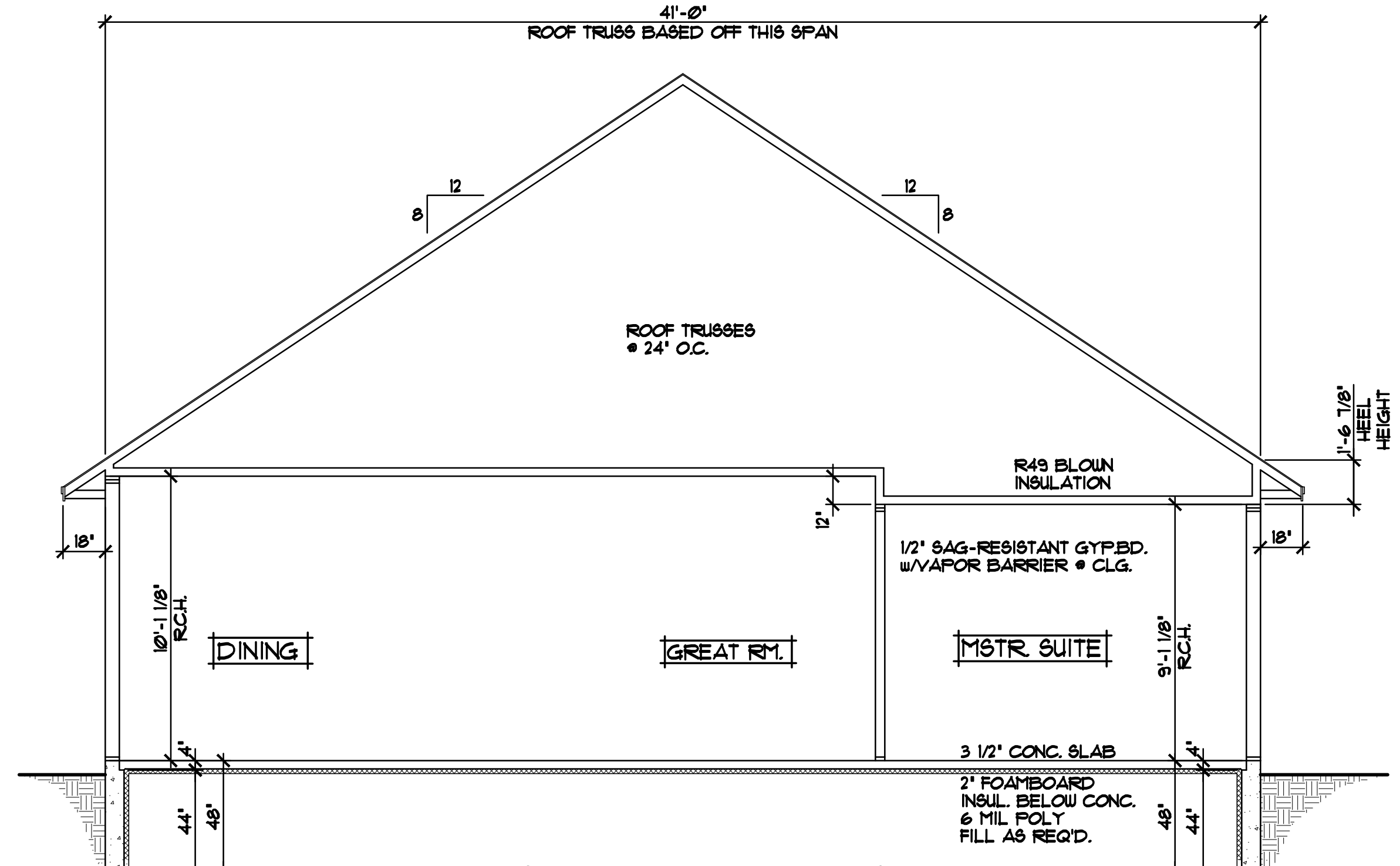


DETAIL-SLAB ON GRADE FOUNDATION 1"=1'-0"



CROSS SECTION 'B' 1/4"=1'-0"

- ROOF CONSTRUCTION:**
- PRE-MANUFACTURED ROOF TRUSSES ENGINEERED BY SUPPLIER
 - 1/8" ROOF VENT AT SOFFITS
 - AIR CHUTE AT EACH TRUSS SPACE
 - 1/16" O8B ROOF SHEATHING
 - 15# ROOFING FELT
 - ICE & WATER MEMBRANE APPLIED 24" FAST EXTERIOR WALL
 - ASPHALT SHINGLES
- SOFFIT/FASCIA:**
- 2x6 SUB-FASCIA
 - ALUMINUM FASCIA
 - ALUMINUM VENTED SOFFITS
- WALL CONSTRUCTION:**
- HOUSE WRAP
 - 1/16" O8B SHEATHING
 - 2x6 STUDS @ 16" O.C.
 - WINDOWS PER SPECIFICATIONS
 - R20 F.G. BATT INSULATION
 - 4 MIL POLY VAPOR BARRIER
 - 1/2" GYP8UM BOARD
- SILL CONSTRUCTION:**
- 2x6 TRTD. SILL PLATE & SEALER
 - 1/2" ANCHOR BOLTS @ 48" O.C.



CROSS SECTION 'A' 1/4"=1'-0"

NOTE III PROVIDE 2" R10 FOAM BOARD INSULATION @ INTERIOR OF ALL EXTERIOR POURED CONC. FOUNDATION WALLS (TYP.)

NOTE III IN FLOOR RADIANT HEAT @ ENTIRE MAIN LEVEL (TYP.)